

# ESP CABLE PROTECTOR



Casing Centralizers, Float Shoe & Collars, Cementing Plug & Baskets

[www.casingtool.com](http://www.casingtool.com)



# ESP CABLE PROTECTOR

## Protect Round, Square or Flat Cables & Control Lines

ESP cable protector, also called control line protector, are used to protect any configuration of ESP cables, control lines, encapsulated bundles in the wellbore. There are channels to shield cables or lines when they transit across the tubing coupling to prevent from damage during installation or retrieval of completions.

The ESP cable protector is made of carbon steel or stainless steel and is suitable for 2-7/8" to 7" O.D. tubing sizes. The control line protector is appropriated for flat, square and round cables and lines.

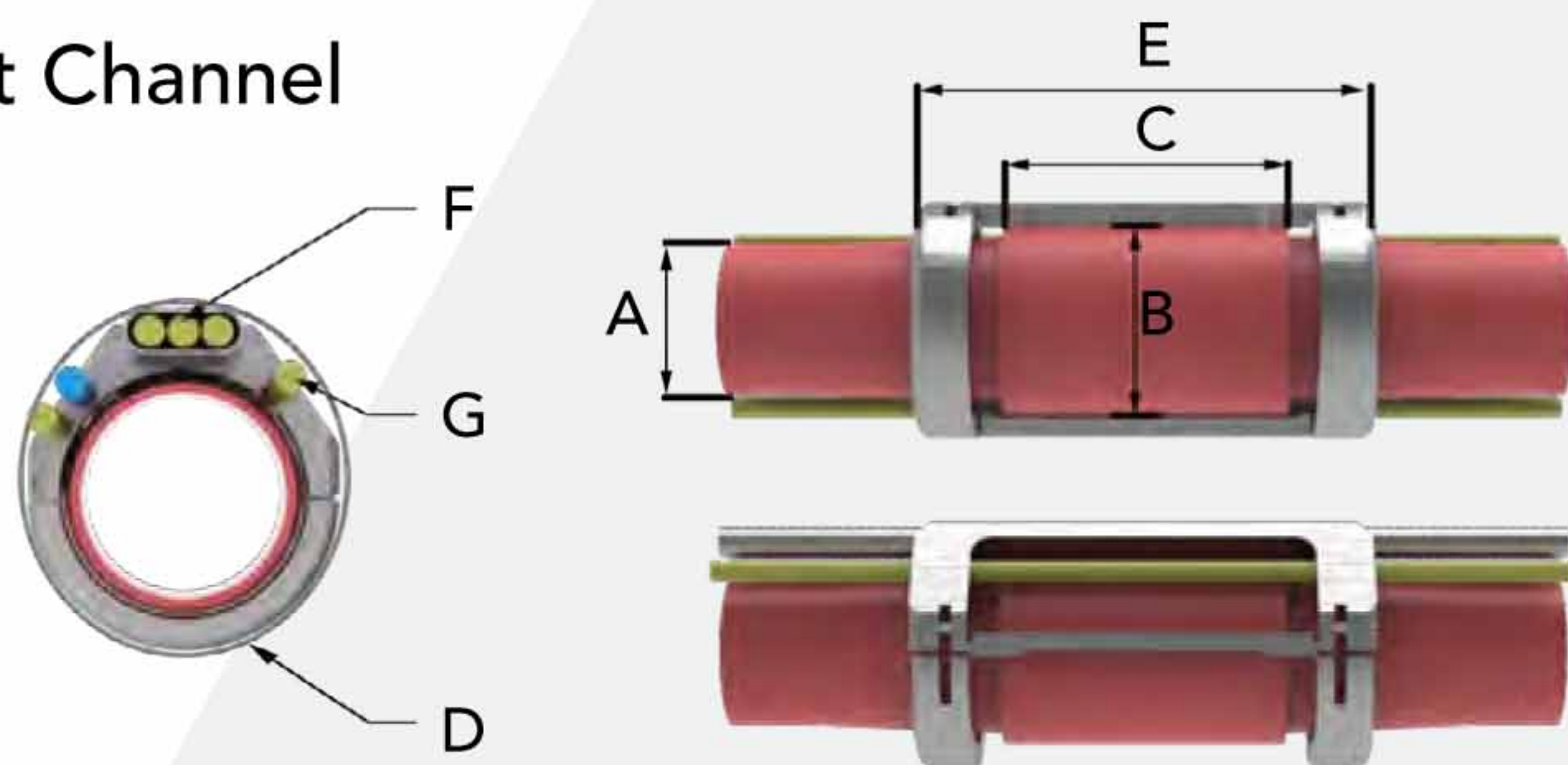


## Categories ▼

According to the production process, the ESP cable protector is divided into casting type and stamping type. And each one is divided into cross coupling protectors and mid joint protectors.

### Casting ESP Cable Protector – Cross Coupling

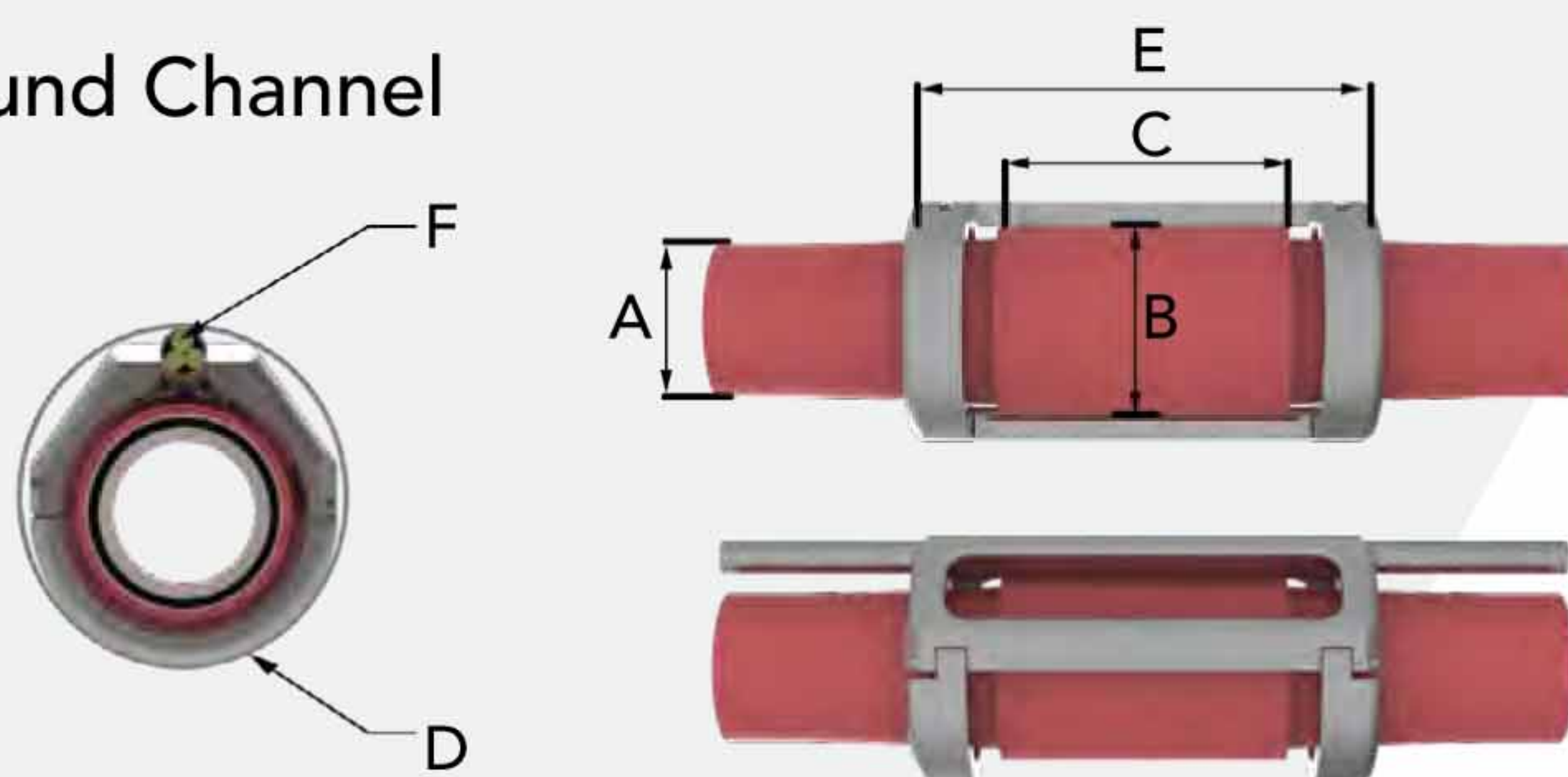
#### Flat Channel



- A Tubing O.D.
- B Coupling O.D.
- C Coupling Length
- D Running O.D.
- E Protector Length
- F Cable Size
- G Control Line

Tubing O.D. (A)	Coupling Specification	Running O.D. (D)	Protector Length (E)	Cable Size (F)	Control Line (G)
2-3/8"	EUE	4.54" – 4.61"	8.82"	AWG #1 16 × 47 AWG #2 15 × 45 AWG #4 14 × 40 AWG #5 13 × 38	1/8" 1/4" 3/8"
2-7/8"		5.03" – 5.10"	9.21"		
3-1/2"		5.71" – 5.77"	9.69"		
4"		6.21" – 6.27"	9.96"		
4-1/2"		6.71 – 6.75"	9.96"		

#### Round Channel



- A Tubing O.D.
- B Coupling O.D.
- C Coupling Length
- D Running O.D.
- E Protector Length
- F Cable Size

Tubing O.D. (A)	Coupling Specification	Running O.D. (D)	Protector Length (E)	Cable Size (F)
2-3/8"	EUE	5.34" – 5.41"	8.82"	AWG #1 φ40 AWG #2 φ38 AWG #3 φ36 AWG #4 φ34
2-7/8"		5.83" – 5.90"	9.21"	
3-1/2"		6.51" – 6.57"	9.69"	
4"		7.01" – 7.07"	9.96"	
4-1/2"		7.31" – 7.35"	10.2"	

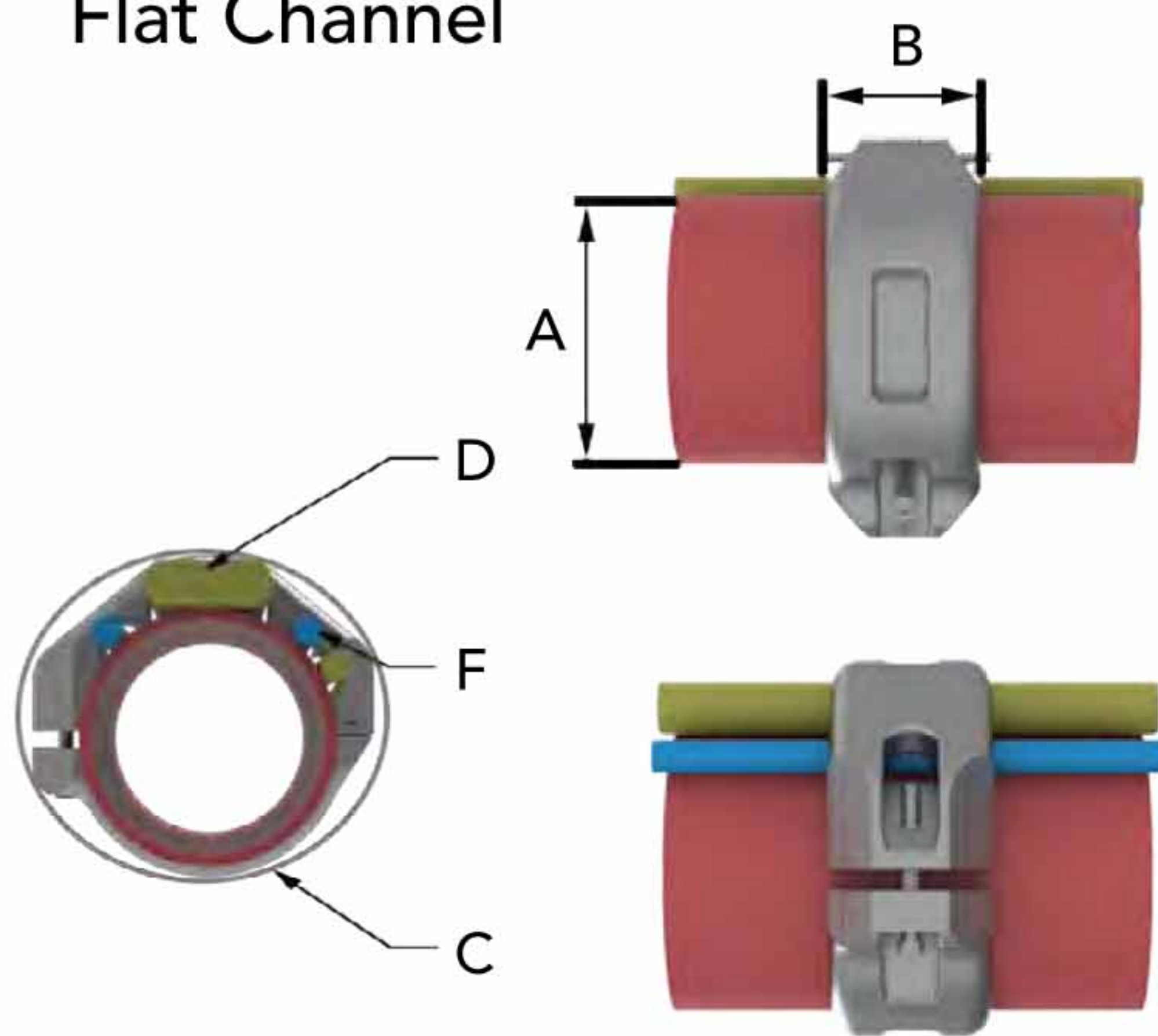
**MORE CHOICES.....**

More products can be purchased  
Online at [www.casingtool.com](http://www.casingtool.com)



## Casting ESP Cable Protector – Mid-Joint

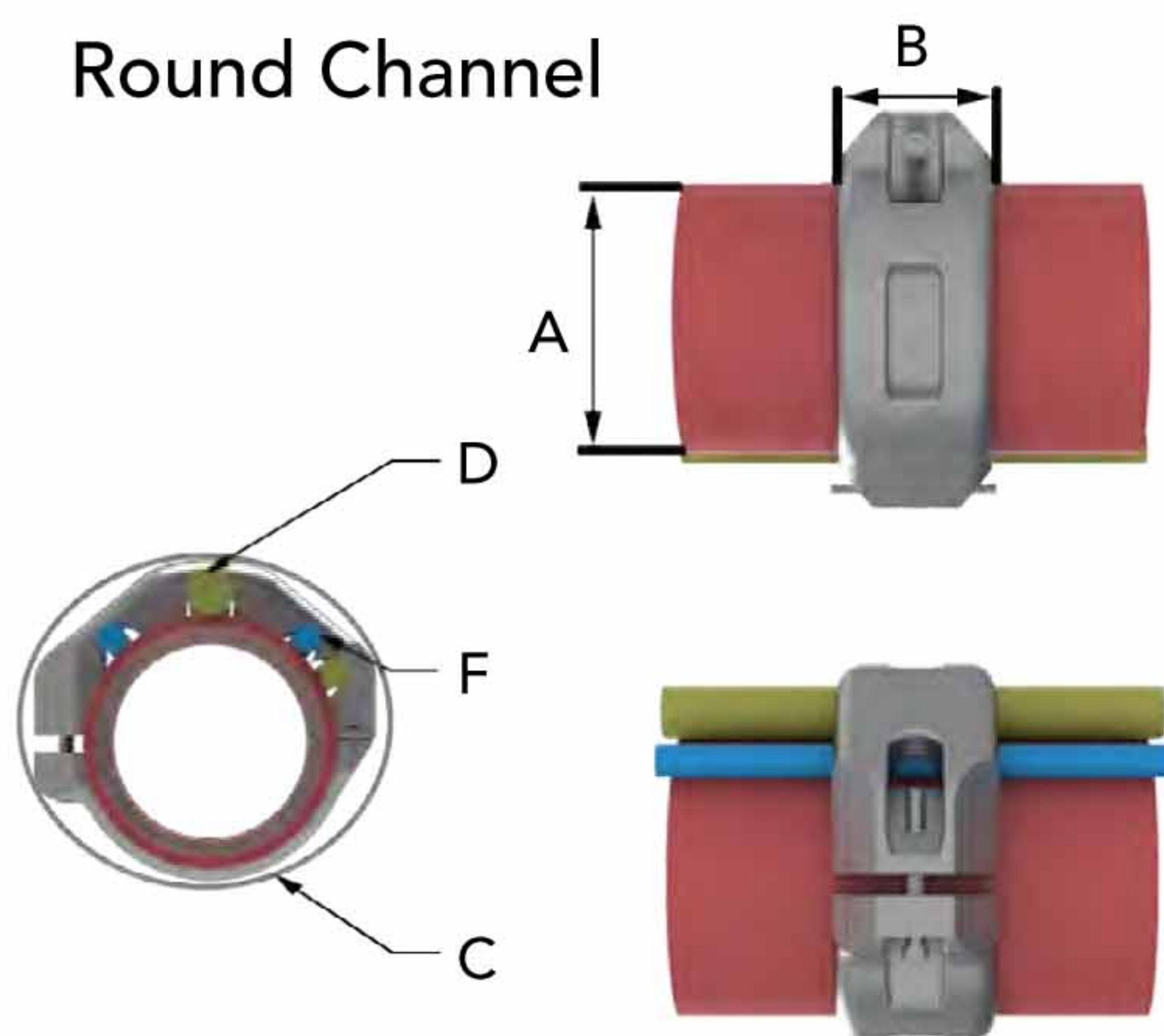
### Flat Channel



A Tubing O.D.                      D Cable Size  
 B Protector Length              E Control Line  
 C Running O.D.

Tubing O.D. (A)	Running O.D. (C)	Protector length (B)	Cable Size (D)	Control Line (E)
2-3/8"	4.3"	1.78"	AWG #1 16 × 47 AWG #2 15 × 45 AWG #4 14 × 40 AWG #5 13 × 38	1/8" 1/4" 3/8"
2-7/8"	4.79"			
3-1/2"	5.47"			
4"	5.95"			
4-1/2"	6.43"			

### Round Channel

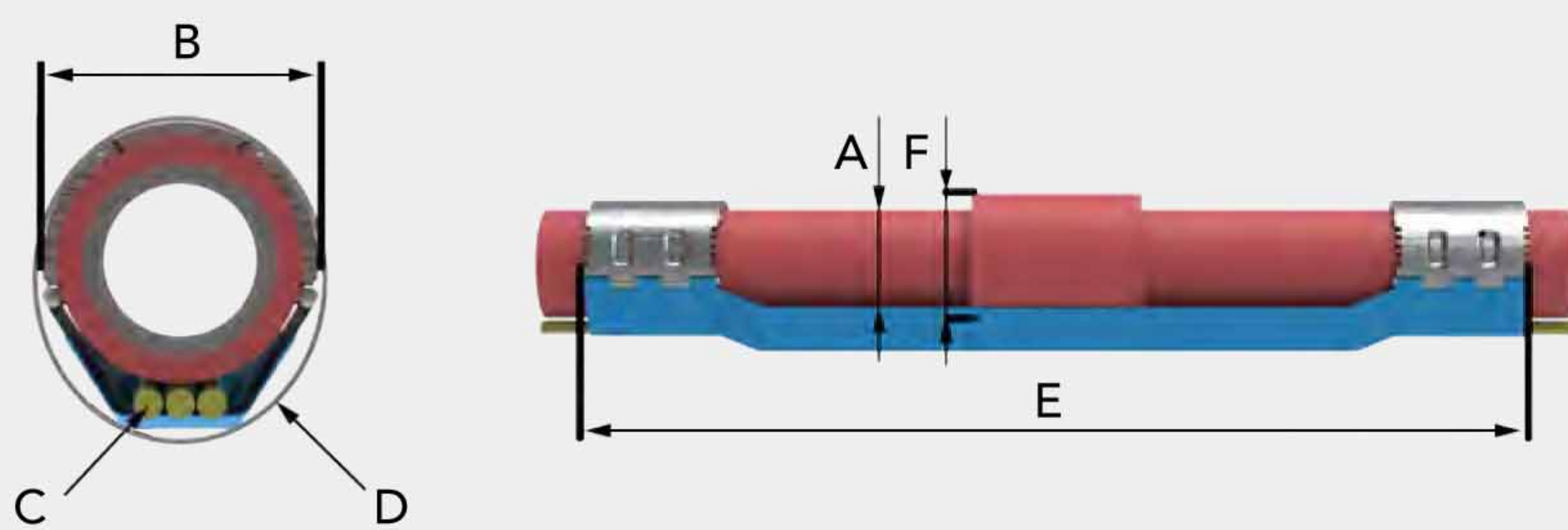


A Tubing O.D.                      D Cable Size  
 B Protector Length              E Control Line  
 C Running O.D.

Tubing O.D. (A)	Running O.D. (C)	Protector length (B)	Cable Size (D)	Control Line (E)
2-3/8"	4.66"	1.78"	AWG #1 φ40 AWG #2 φ38 AWG #3 φ36 AWG #4 φ34	1/8" 1/4" 3/8"
2-7/8"	5.12"			
3-1/2"	5.73"			
4"	6.22"			
4-1/2"	6.69"			

## Stamping ESP Cable Protector – Cross Coupling

### Flat Channel



A Tubing O.D.                      D Running O.D.  
 B Collar O.D.                      E Protector Length  
 C Cable Size                      F Coupling O.D.

Tubing O.D. (A)	Coupling Specification	Collar O.D. (B)	Running O.D. (D)	Protector Length (E)	Cable Size (C)
2-3/8"	EUE	3.19"	3.85" – 3.96"	25.2"	AWG #1 16 × 47 AWG #2 15 × 45 AWG #4 14 × 40 AWG #5 13 × 38
2-7/8"		3.7"	4.39" – 4.5"		
3-1/2"		4.33"	5.05" – 5.16"		
4"		4.8"	5.52" – 5.64"		
4-1/2"		5.315"	5.99" – 6.11"		

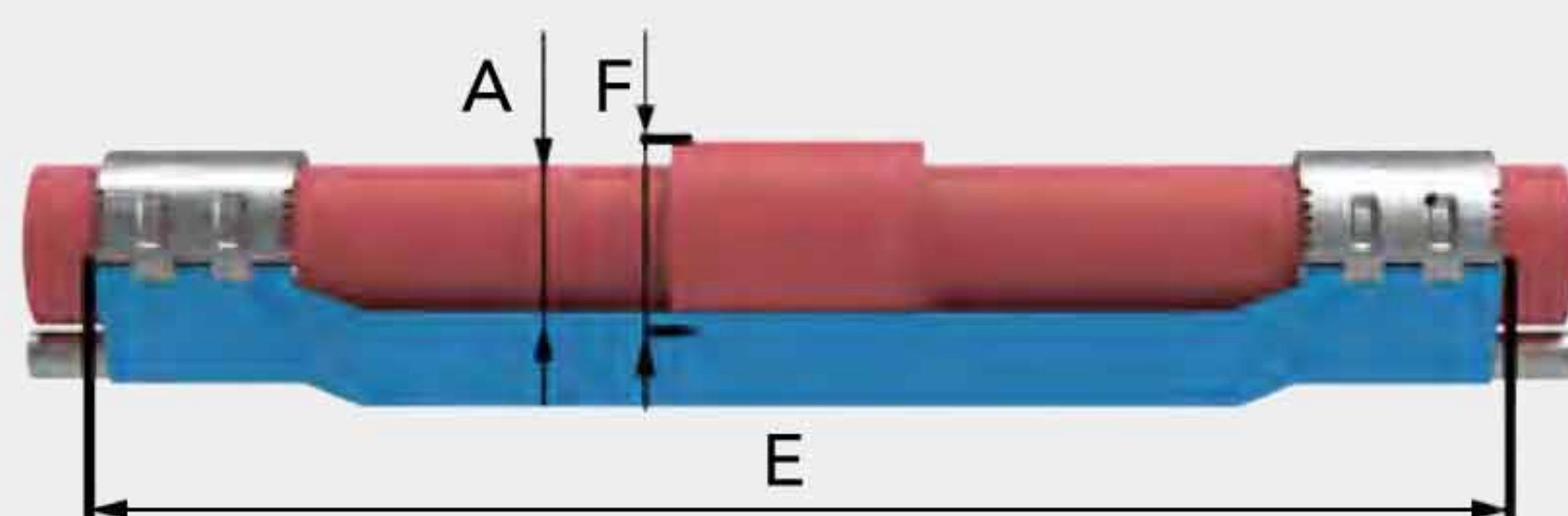
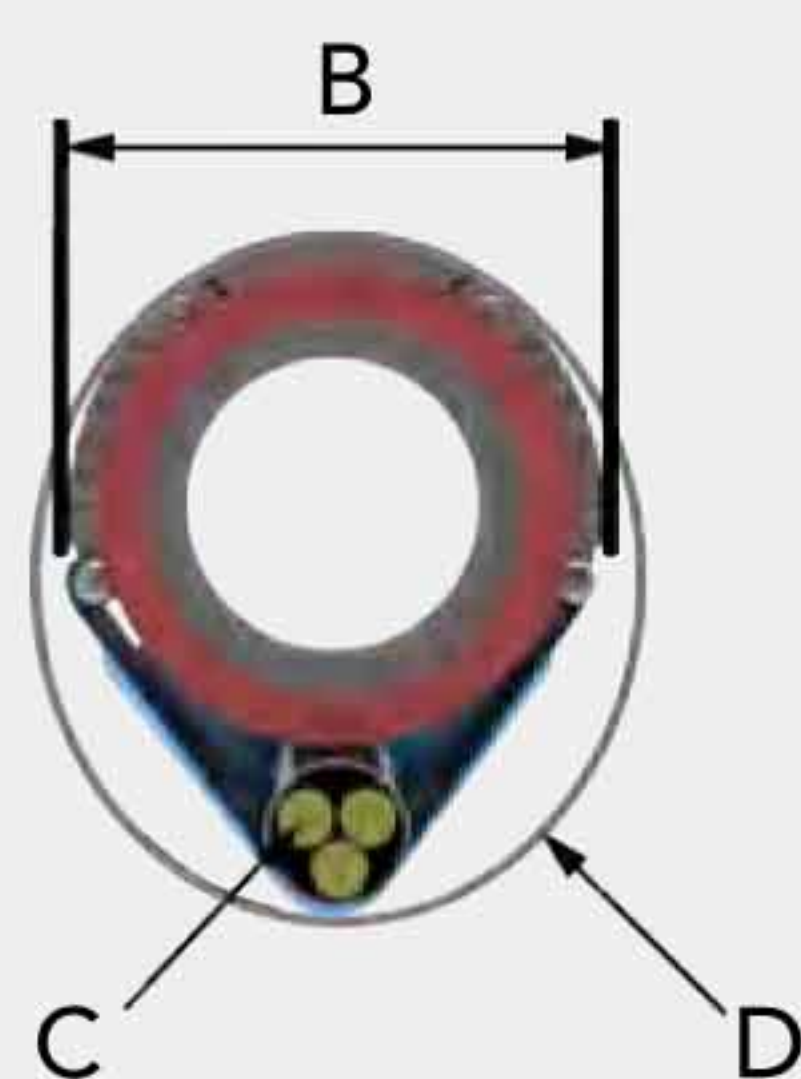


**MORE CHOICES.....**

More products can be purchased  
 Online at [www.casingtool.com](http://www.casingtool.com)



## Round Channel

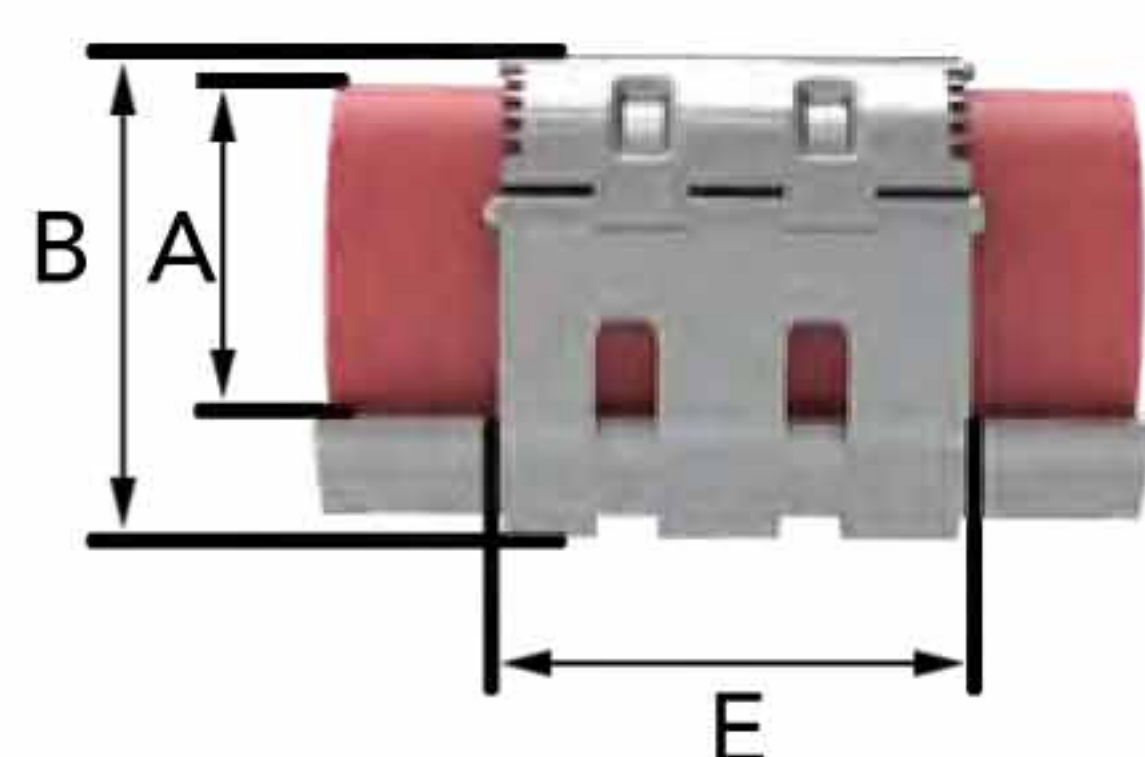
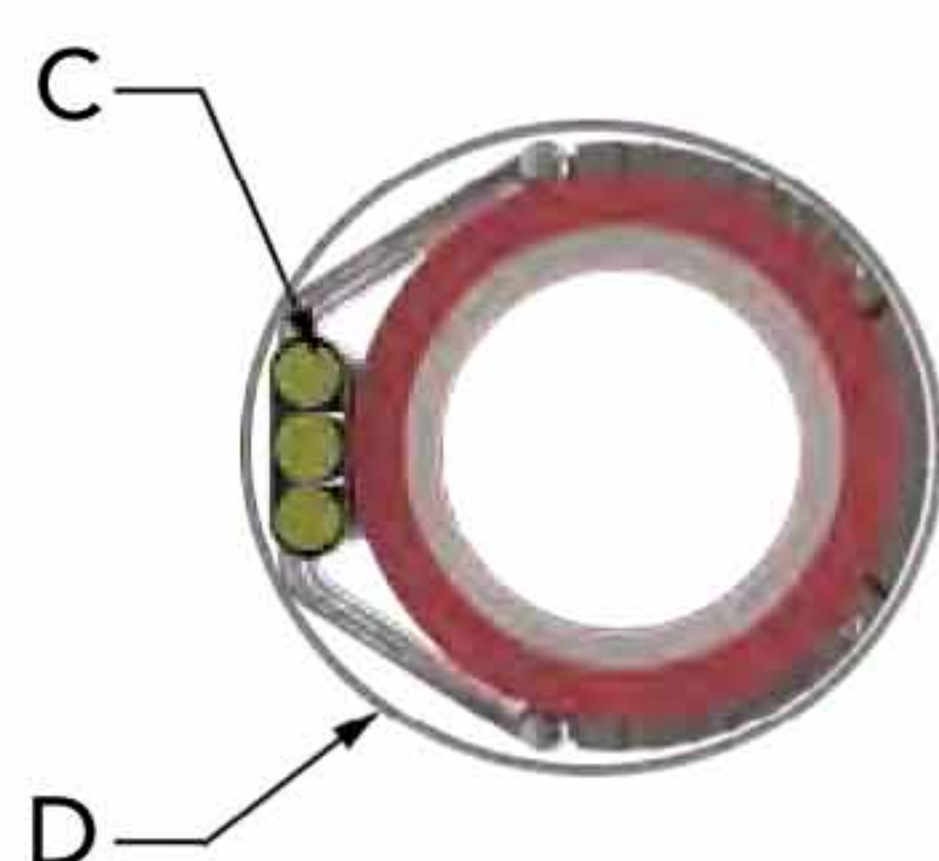


A Tubing O.D.      D Running O.D.  
 B Collar O.D.      E Protector Length  
 C Cable Size        F Coupling O.D.

Tubing O.D. (A)	Coupling Specification	Collar O.D. (B)	Running O.D. (D)	Protector Length (E)	Cable Size (C)
2-3/8"	EUE	3.19"	4.49" – 4.73"	25.2"	AWG #1 φ40 AWG #2 φ38 AWG #3 φ36 AWG #4 φ34
2-7/8"		3.7"	5.05" – 5.29"		
3-1/2"		4.33"	5.73" – 5.97"		
4"		4.8"	6.23" – 6.47"		
4-1/2"		5.315"	6.71" – 6.95"		

## Stamping ESP Cable Protector – Mid-Joint

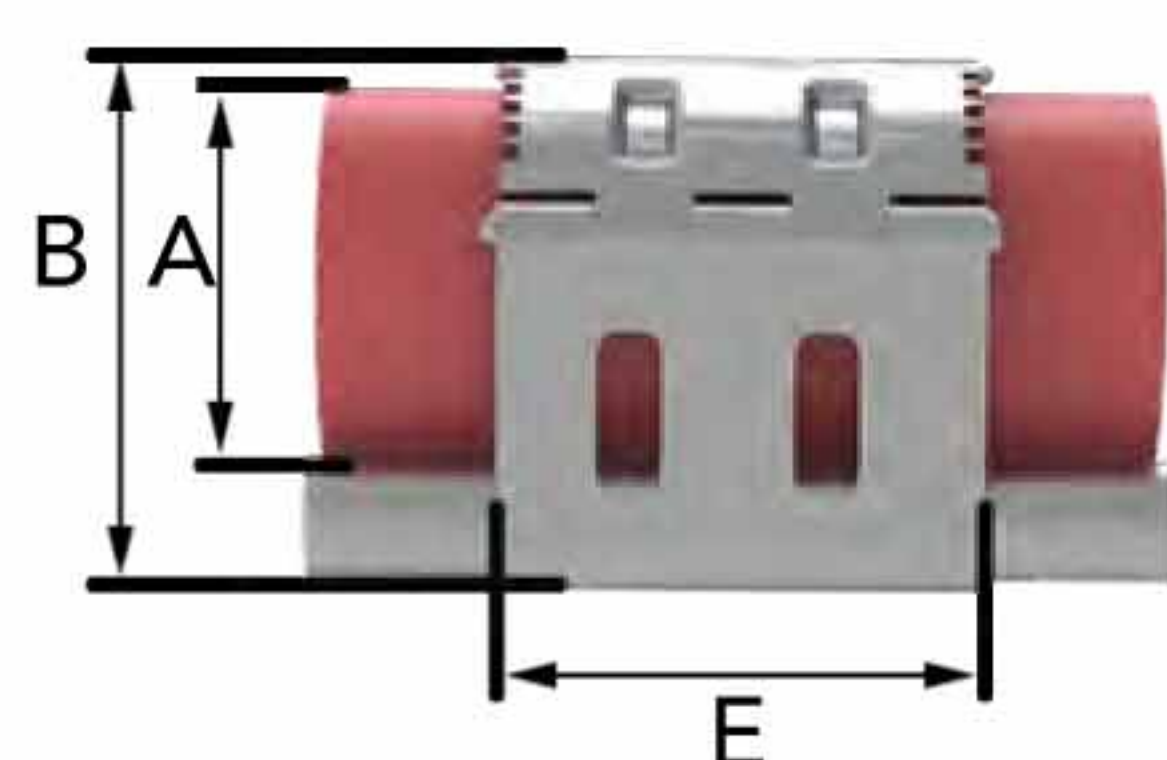
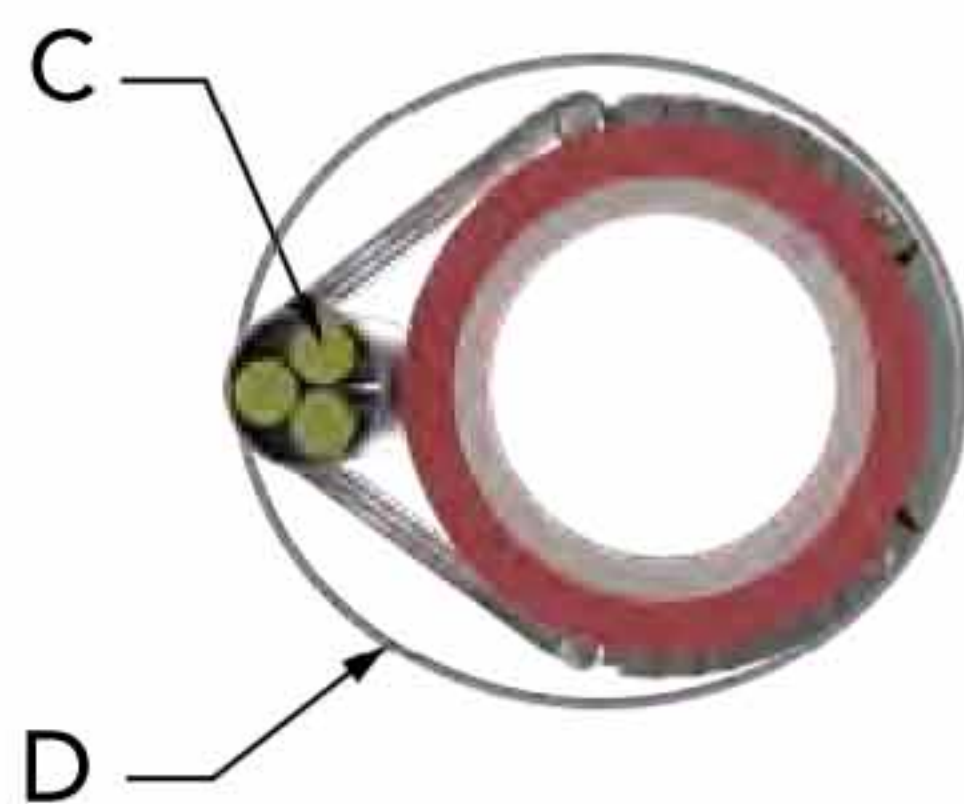
### Flat Channel



A Tubing O.D.      C Cable Size      E Protector Length  
 B Collar O.D.      D Running O.D.

Tubing O.D. (A)	Collar O.D. (B)	Running O.D. (D)	Protector Length (E)	Cable Size (C)
2-3/8"	3.19"	3.62" – 3.73"	3.94"	AWG #1 16 × 47 AWG #2 15 × 45 AWG #4 14 × 40 AWG #5 13 × 38
2-7/8"	3.7"	4.09" – 4.2"		
3-1/2"	4.33"	4.69" – 4.8"		
4"	4.8"	5.16" – 5.27"		
4-1/2"	5.315"	5.65" – 5.76"		

### Round Channel



A Tubing O.D.      C Cable Size      E Protector Length  
 B Collar O.D.      D Running O.D.

Tubing O.D. (A)	Collar O.D. (B)	Running O.D. (D)	Protector Length (E)	Cable Size (C)
2-3/8"	3.19"	4.24" – 4.48"	3.94"	AWG #1 φ40 AWG #2 φ38 AWG #3 φ36 AWG #4 φ34
2-7/8"	3.7"	4.74" – 4.98"		
3-1/2"	4.33"	5.37" – 5.61"		
4"	4.8"	5.86" – 6.10"		
4-1/2"	5.315"	6.37" – 6.61"		



**MORE CHOICES.....**

More products can be purchased  
 Online at [www.casingtool.com](http://www.casingtool.com)





PUYANG ZHONGSHI GROUP



**Address:**

Zhongshi Industrial Park,  
Qingfeng, Puyang, China

**Tel/WhatsApp:**

+86 18639392017

**Web:**

[www.casingtool.com](http://www.casingtool.com)

**E-mail:**

[sales@casingtool.com](mailto:sales@casingtool.com)

**CATALOG**

Puyang Zhongshi Group Co., Ltd.